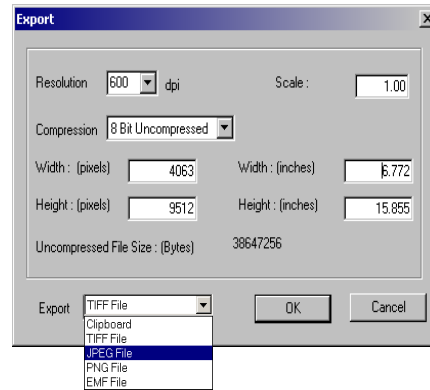
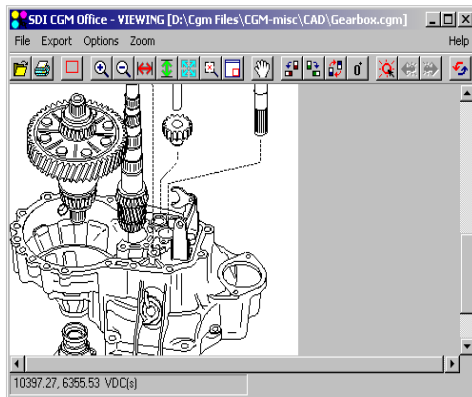




SDI CGM Office

View - Print - Copy/Paste - Convert



CGM Office is the best multi-function CGM utility on the market today.

View CGM (v1-4), CGM CALS, CGM ATA & WebCGM Profiles.

SDI's CGM viewing technology supports the latest ISO CGM standards and approved industry profiles. View CGM drawings from popular CAD applications such as CATIA, IDEAS, Pro/Engineer, and Unigraphics. The CGM Office viewer is optimized for fast display of large and complex drawings, illustrations, and schematics.

View Image Formats: CALS, JPEG, PNG, TIFF, & XWD Files.

SDI's Image viewing technology is also included in CGM Office to improve your productivity. View scanned and legacy drawings without launching another viewing program.

Convert to EMF, JPEG, PNG, TIFF, & the Windows Clipboard.

CGM Office facilitates your graphic workflow between desktop publishing applications from Adobe, Corel, Canvas, and Microsoft with our CGM conversion technology. CGM Office is OLE compliant, so you can copy & paste CGM files into your Microsoft Word documents. Export EMF, JPEG or TIFF for your PowerPoint presentations.

Print CGM Files via the Windows File - Print System.

CGM Office has exceptional print capabilities. Print the entire file or your desired view. Print to any installed printer on your Windows Print Manager.

Try CGM Office today.

Load the SDI CD or download from www.sdicgm.com.



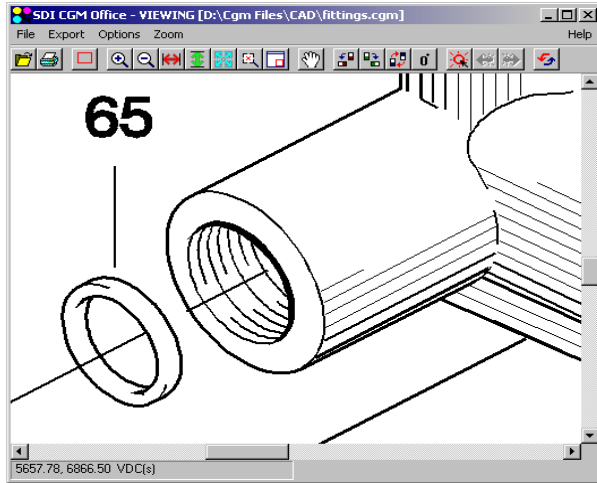
SalesUS@sdicgm.com
1 713-266-5667



SalesUK@sdicgm.com
+011 44-1732-369988



sdbj@sina.com
+011 86 10-8200-5004

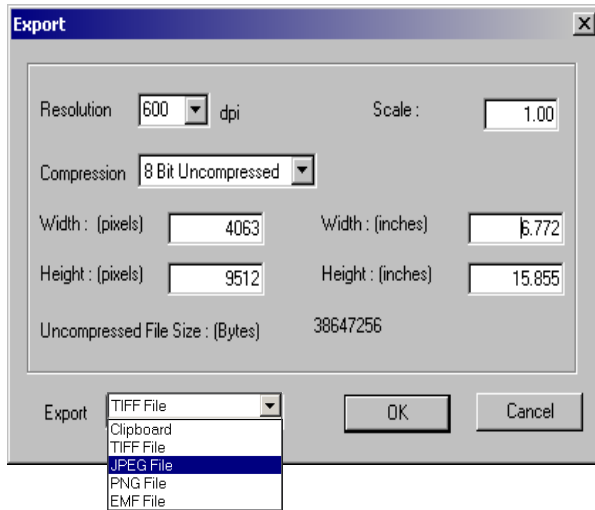


Viewing Features

Zoom & Scroll
Rotate: 0, 90, 180, 270
Multipicture Support
Control Background Color
Invert Black & White Elements
WebCGM Hot-Spot Support

Viewing Formats

CGM v1-v4, CGM ATA/
CALs, WebCGM, CALs
Raster, JPEG, PNG, TIFF,
XWD

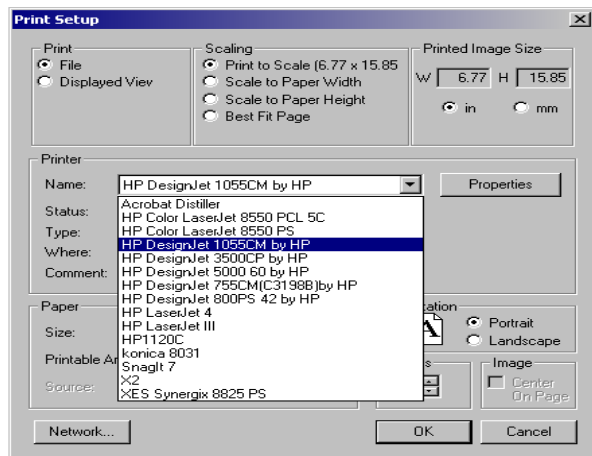


Export Features

Entire File or Viewport
Copy - Paste to Clipboard
DPI Control: 72-600 DPI
Scale Factor Control
Width & Height Settings

Export Formats

EMF, JPEG, PNG, TIFF



Printing Features

Print Entire File
Print Displayed View
Scale Control
Width & Height Control
Prints to any Windows Printer